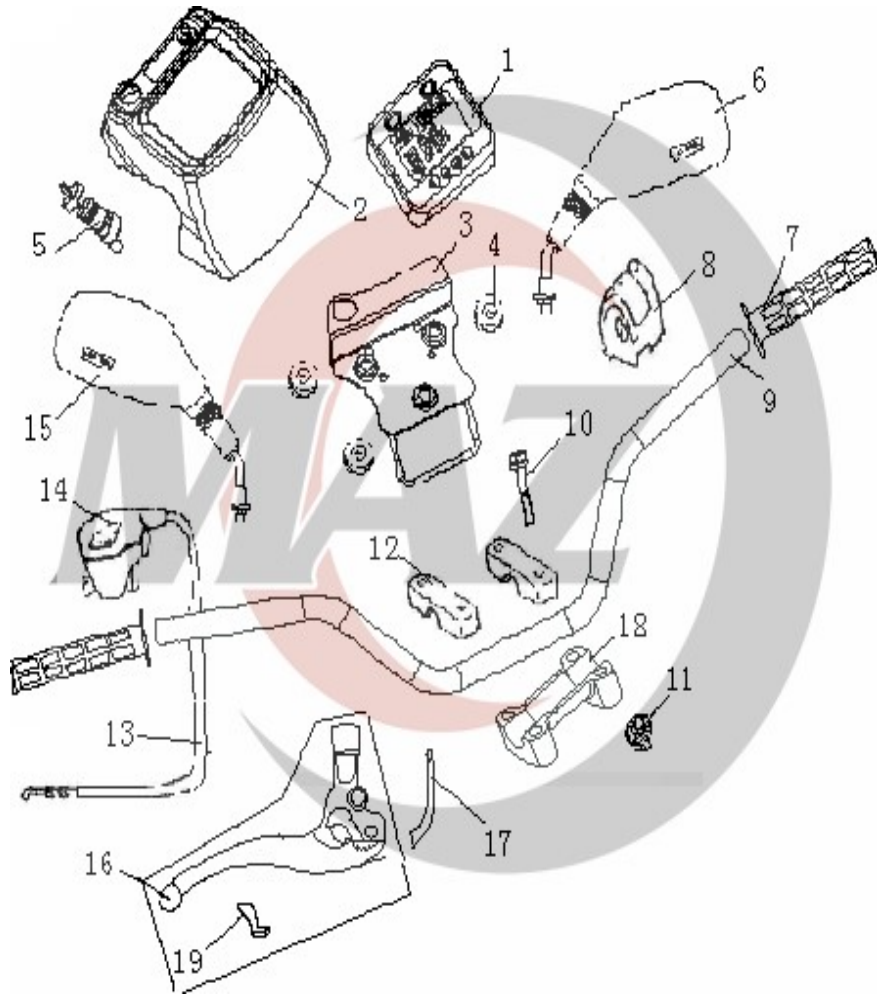
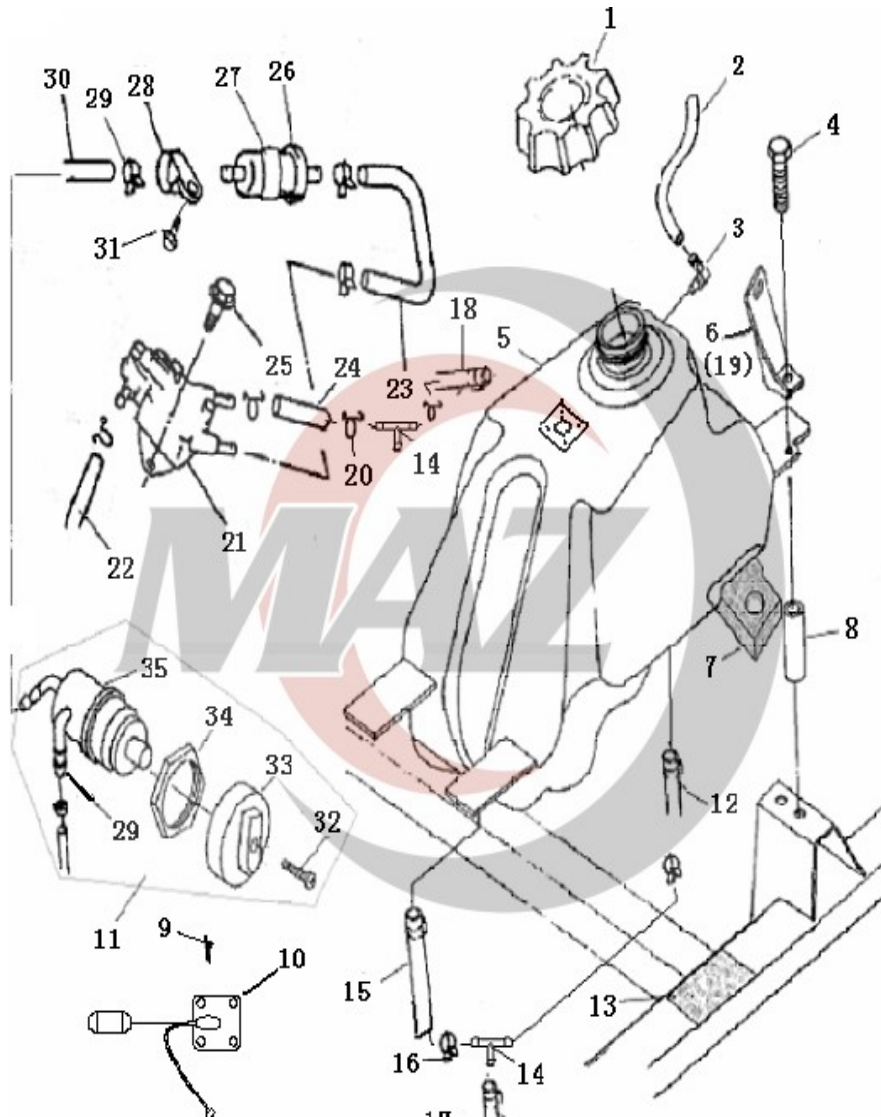


1 HANDLEBAR



REF. No.	KOD MAZ	DESCRIPTION
1	5.1.01.0011	SPEEDOMETER
2	6.2.01.0010	INSTRUMENT HOUSING
3	1.4.01.0010	WARNING LIGHT BRACKET
4	6.2.01.0020	RUBBER BUSH
5	5.3.01.0010	IGNITION SWITCH WITH KEY
6	6.3.01.0010	REAR VIEW MIRROR LEFT
7	4.4.01.0010	GRIP
8	5.3.01.0021	SWITCH ASSY
9	4.4.01.0020	HANDLEBAR
10	0.01.00130	BOLT M8X60
11	0.03.00130	NUT M8
12	4.4.01.0030	HANDLEBAR CLAMP TOP
13	4.5.01.0010	THROTTLE CABLE
14	4.4.01.0041	THROTTLE CONTROL
15	6.3.01.0020	REAR VIEW MIRROR RIGHT
16	4.3.01.0010	PARKING HANDLE
17	4.5.01.0021	PARKING LINE
18	4.4.01.0050	HANDLEBAR CLAMP BOTTOM
19	4.3.01.1010	LOCALIZER

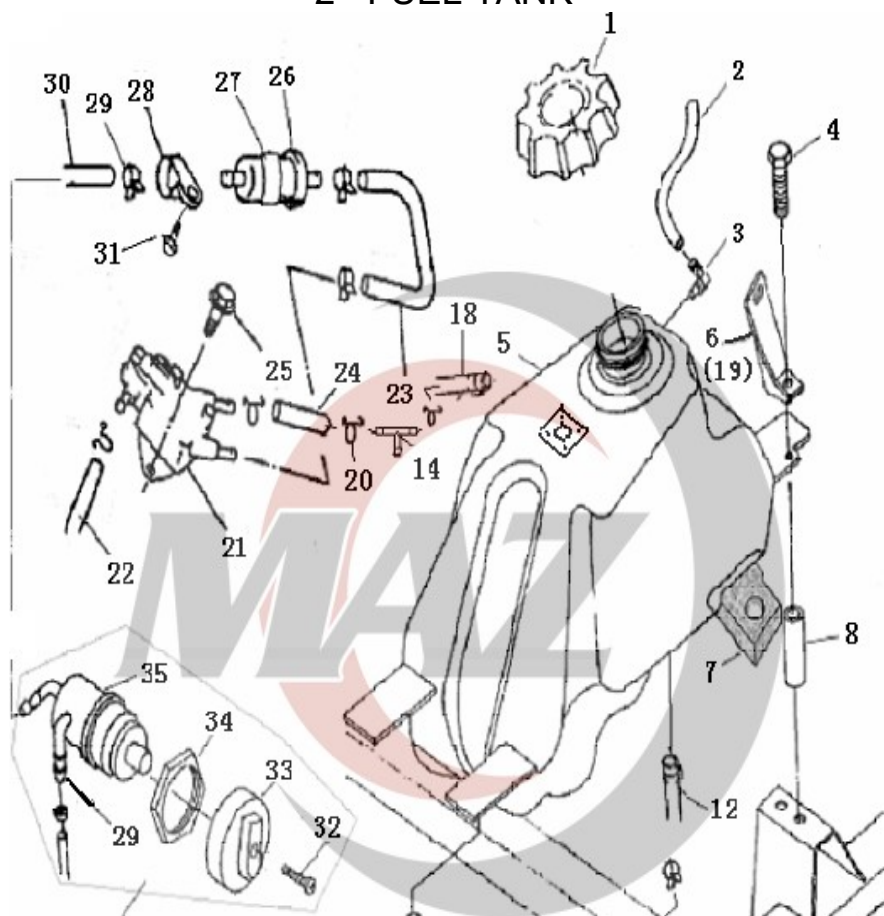
2 FUEL TANK



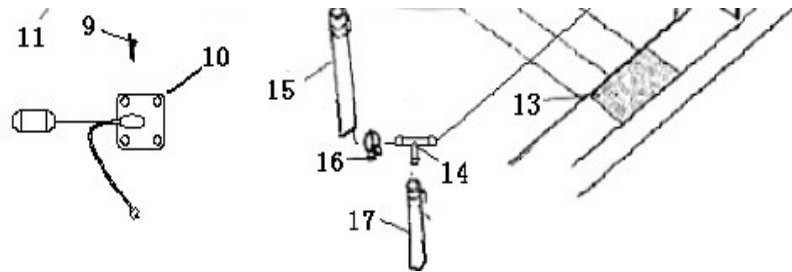
REF No	KOD MAZ	DESCRIPTION
1	2.9.01.0010	FUEL CAP
2	2.9.01.0020	VENT TUBE
3	2.9.01.0030	VENT FITTING
4	0.01.00230	BOLT M6X60
5	2.9.01.2001	FUEL TANK
6	2.9.01.0050	MOUNTING BRACKET LEFT
7	2.9.01.0070	FOAM PAD
8	2.9.01.0080	SPACER
9	0.02.03150	BOL
10	2.9.01.2020	OIL SENSOR
10	L107	
11	2.9.01.1101	FUEL VALVE ASSY
12	2.9.01.0220	FUEL HOSE
13	2.9.01.0090	MOUNTING PAD
14	2.9.01.0230	BRAKE LINE COUPLER
15	2.9.01.0100	FUEL HOSE
16	6.4.01.0060	CLIP 11.3
17	2.9.01.0240	FUEL HOSE
18	2.9.01.0250	PIPE II
19	2.9.01.0160	MOUNTING BRACKET RIGHT
20	6.4.01.0040	CLIP 10
21	2.9.01.0200	FUEL PUMP ASSY
22	2.9.01.0210	FUEL LINE I

17

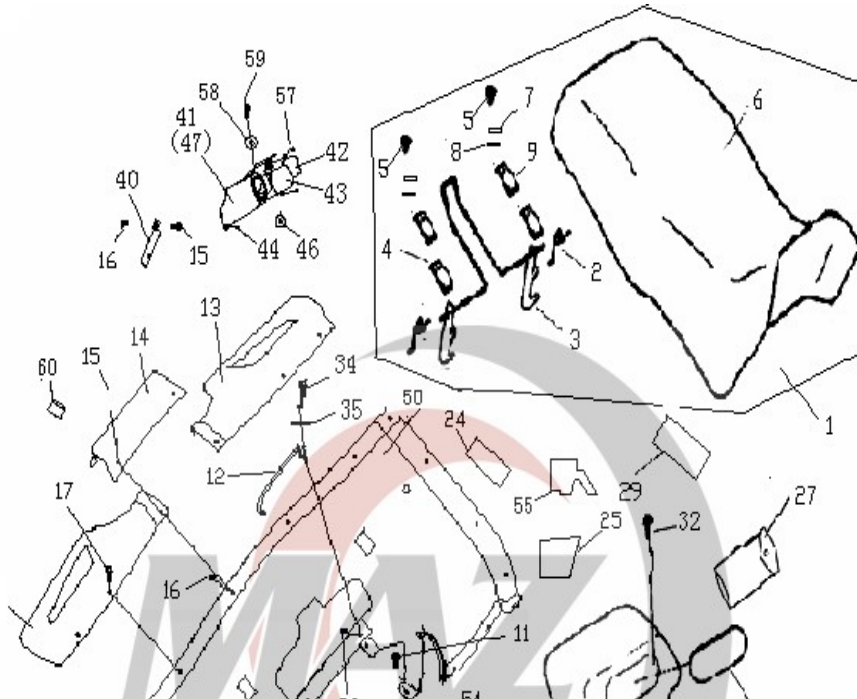
2 FUEL TANK



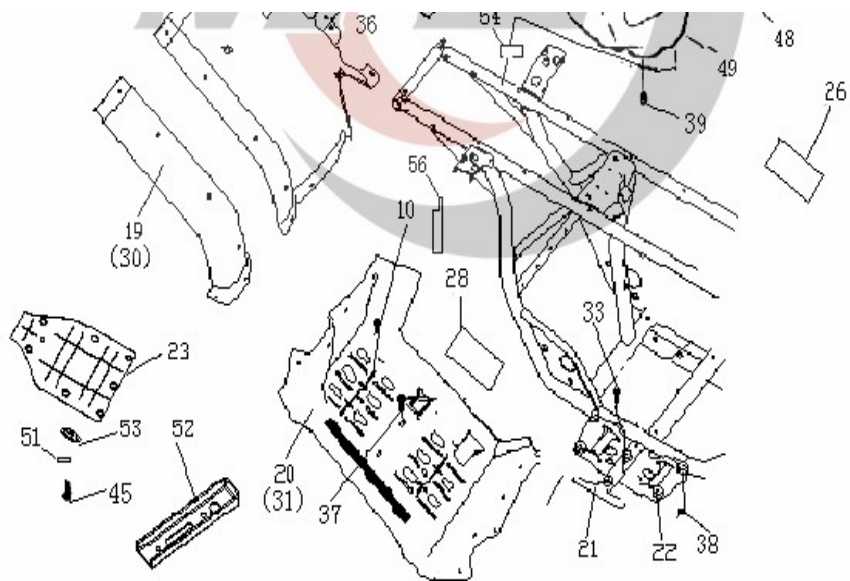
REF. No.	KOD MAZ	DESCRIPTION
23	2.9.01.0170	FUEL LINE II
24	2.9.01.0280	PIPE
25	0.01.00330	BOLTM6X12
26	2.9.01.0140	FUEL FILTER
27	2.9.01.0190	FUEL FILTER PAD
28	2.9.01.0150	CLAMP
29	6.4.01.0090	HOSE CLAMP 12
30	2.9.01.0130	FUEL LINE III
31	0.01.00330	BOLT M6X12
32	0.02.00130	SCREW M4x10
33	2.9.01.1110	FUEL CONTROL KNOB (RED)
	2.9.01.1111	FUEL CONTROL KNOB (BLACK)
34	2.9.01.1120	NUT
35	2.9.01.1131	FUEL VALVE



3 REAR FENDERS

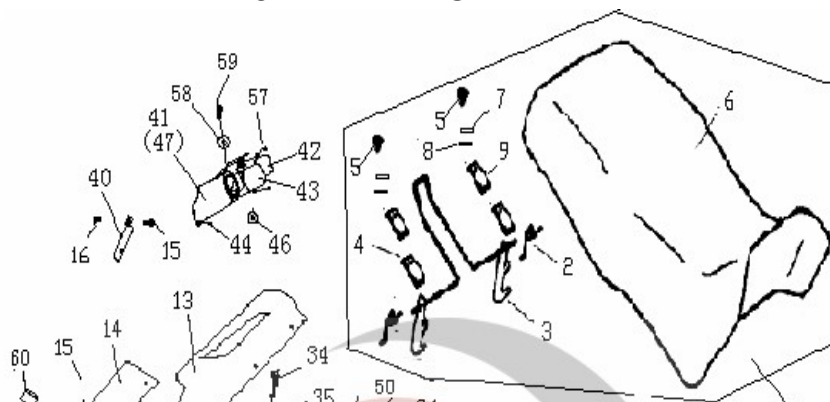


REF. No.	KOD MAZ	DESCRIPTION
1	6.1.01.0000	SEAT ASSY
2	6.1.01.0020	SPRING
3	6.1.01.0030	LATCH ASSEMBLY
4	6.1.01.0040	RETAINER CLIP
5	0.01.00430	BOLT M6X15
6	6.1.01.0010	SEAT
7	0.04.00610	WASHER 6
8	0.04.00110	WASHER 6
9	6.4.01.0110	FICHE
10	0.01.00530	BOLT M6X30
11	0.01.00330	BOLT M6X12
12	6.2.01.0250	LATCH BRACKET
13	6.2.01.0060	BOARD,REAR LIGHT, L.
14	6.2.01.0070	BOARD, REAR CONNECT
15	8.1.01.0010	BOLT M6X20
16	0.03.00230	NUT M6
17	6.2.01.0560	SCREW
18	6.2.01.0080	BOARD,REAR LIGHT, R.

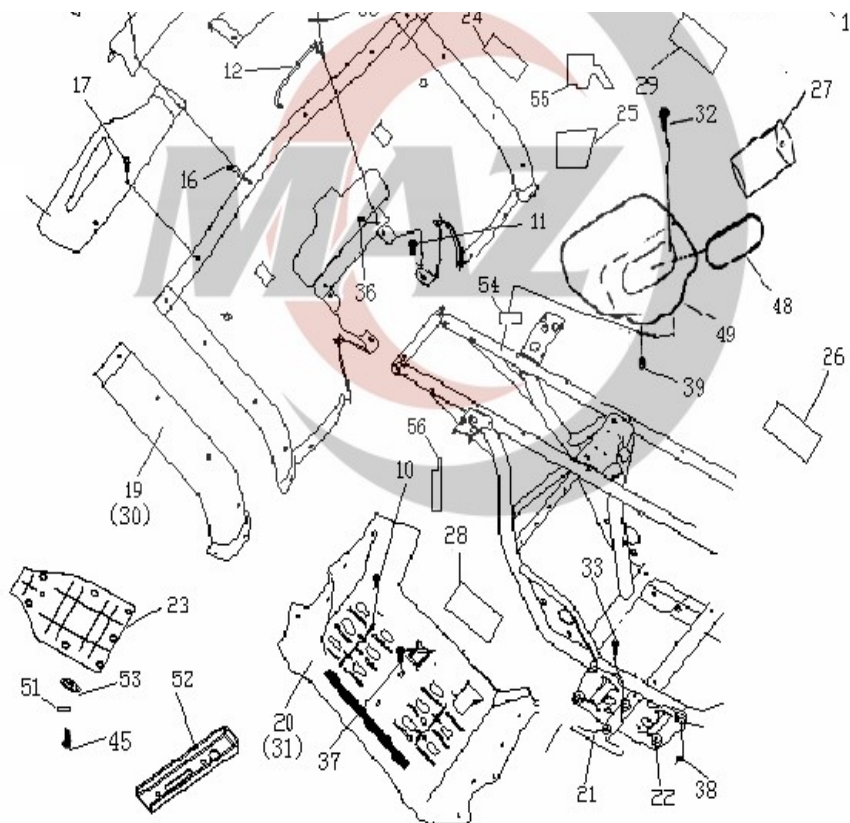


19	6.2.01.0090	REAT MUD GUARD RIGHT
20	6.2.01.0100	FOOTREST RIGHT
20	L104	Podnózek lewy/prawy
21	1.5.01.0010	FOOTREST Bracket
22	8.2.01.0010	RUBBER PAD
23	6.2.01.0110	PLASTIC PLATE
24	6.2.01.0120	HEAT INSULATION THECA E
25	6.2.01.0130	HEAT INSULATION THECA F
26	6.2.01.0140	BATTERY MOUNTING PAD
27	7.3.01.1000	TOOL
28	6.2.01.0150	HEAT INSULATION THECA D
29	6.1.01.0060	SEAT ADIABATIC PELLICIE
30	6.2.01.0170	REAT MUD GUARD LEFT
31	6.2.01.0180	FOOTREST LEFT
31	L104	Podnózek lewy/prawy
32	0.01.00530	BOLT M6X30

3 REAR BODY

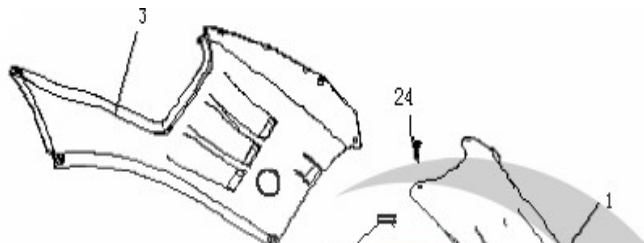


REF. No.	KOD MAZ	DESCRIPTION
33	0.01.00430	BOLT M6X15
34	0.02.00230	BOLT M5X15
35	0.04.00210	WASHER 5
36	0.03.00430	NUT M5
37	0.01.00630	BOLT M6X20
38	0.03.00330	NUT M6
39	6.2.01.0190	PULG
40	1.4.01.0120	REAR STRENGTHEN PLANK
41	6.2.01.0210	TAILLIGHT COVER,L
42	6.2.01.0220	SMALL TAILLIGHT CUP
43	6.2.01.0230	BIG TAILLIGHT CUP
44	0.02.01030	BOLT ST4.8X12

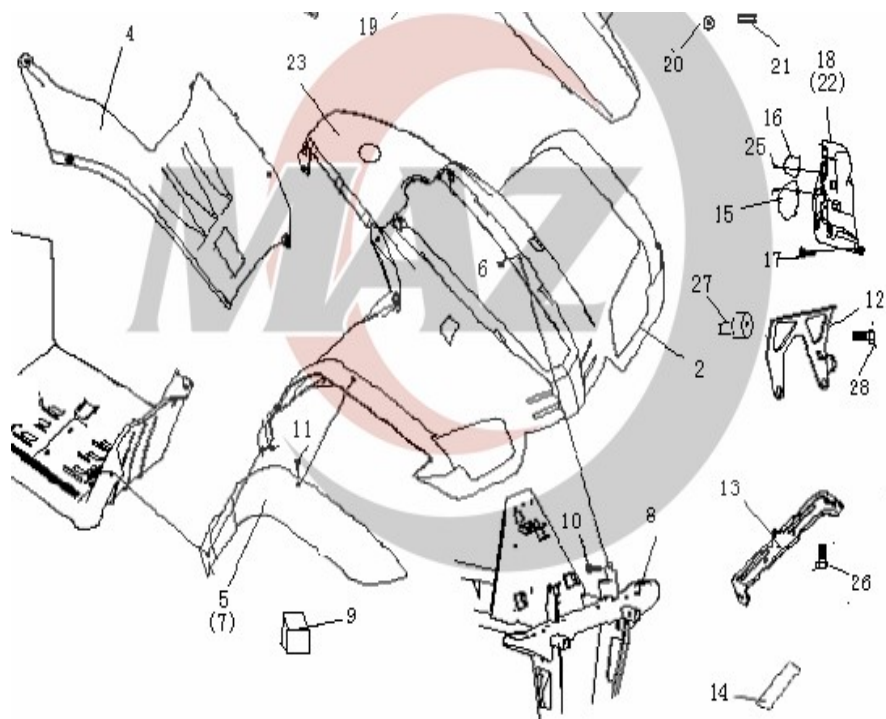


45	0.01.00430	BOLT M6X15
46	6.2.01.0020	RUBBER BUSH
47	6.2.01.0240	TAILLIGHT COVER,R
48	6.2.01.0030	STORAGE BOX COVER
49	6.2.01.0040	STORAGE BOX
50	6.2.01.005024	REAR FENDERS(GB)
	6.2.01.005023	REAR FENDERS(OR)
	6.2.01.005002	REAR FENDERS(RE)
		REAR FENDERS(CA)
	6.2.01.005001	REAR FENDERS(BK)
51	0.04.00610	WASHER 6
52	1.5.01.0020	ANTISKID
53	8.8.01.0010	WASHER
54	2.5.01.0010	AIR CLEANER AMORTIZE
55	6.2.01.0270	HEAT INSULATION THECA B
56	6.2.01.0280	HEAT INSULATION THECA C
57	0.02.00930	BOLT ST4.2X12
58	0.04.00210	WASHER 5
59	0.02.00630	BOLT M5X12
60	7.5.01.0010	VIN BRAND
61	0.08.01300	RIVET
62	6.2.01.0530	SENSOR CARE CUP

4 FRONT BODY



REF. No.	KOD MAZ	DESCRIPTION
1	6.2.01.029001	FRONT COVER (BK)
		FRONT COVER (CA)
2	6.2.01.003024	FRONT BODY (GR)
	6.2.01.003023	FRONT BODY (OR)
	6.2.01.003002	FRONT BODY (RE)

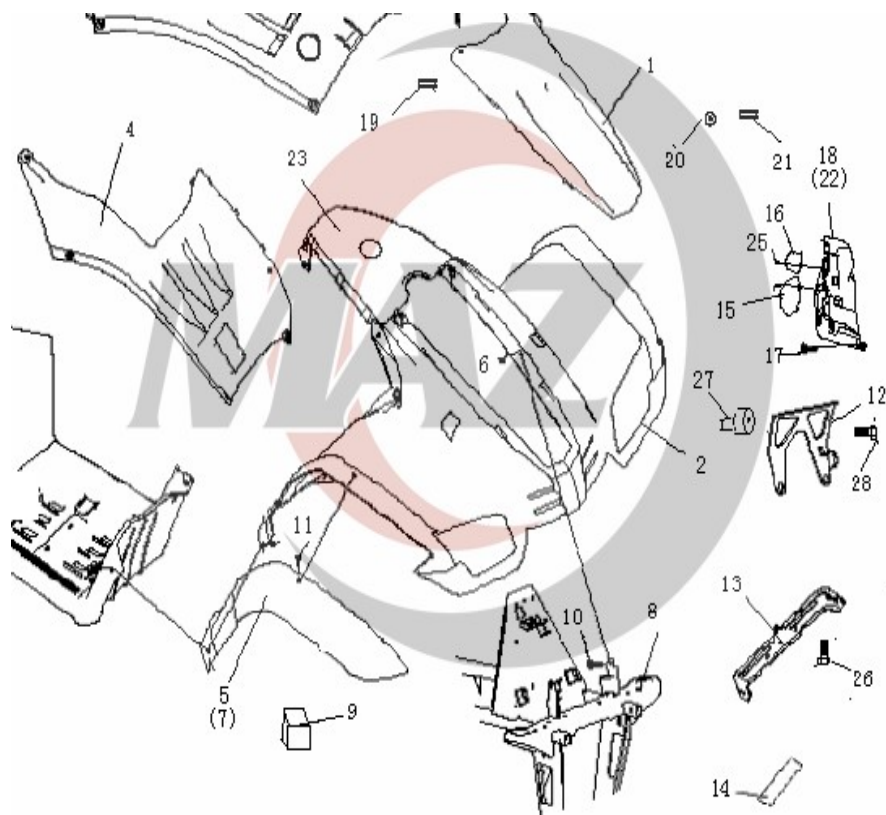


4 FRONT BODY & FRAM



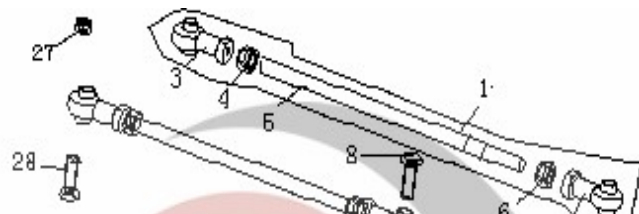
		FRONT BODY (CA)
	6.2.01.003001	FRONT BODY (BK)
3	6.2.01.031023	SIDE COVER LEFT (GR)
	6.2.01.031024	SIDE COVER LEFT (OR)
	6.2.01.031002	SIDE COVER LEFT (RE)
		SIDE COVER LEFT (RE)
	6.2.01.031001	SIDE COVER LEFT (BK)
4	6.2.01.032023	SIDE COVER RIGHT (GR)
	6.2.01.032024	SIDE COVER RIGHT (OR)
	6.2.01.032002	SIDE COVER RIGHT (RE)
		SIDE COVER RIGHT (CA)
	6.2.01.032001	SIDE COVER RIGHT (BK)
5	6.2.01.0330	MUD GUARD RIGHT
6	0.03.00230	NUT M6
7	6.2.01.0340	mud GUARD LEFT
8	1.1.01.0011	FRAME COMP
9	6.2.01.0430	PLUNG
10	8.1.01.0010	BOLT M6X20
11	6.2.01.0570	SCREW
12	2.6.01.0181	UP BRACKET RADIATOR

REF. No.	KOD MAZ	DESCRIPTION
13	2.6.01.0190	DOWN BRACKET RADIATOR
14	2.6.01.0200	SPACER RUBBER
15	6.2.01.0370	BIG FRONT LIGHT CUP

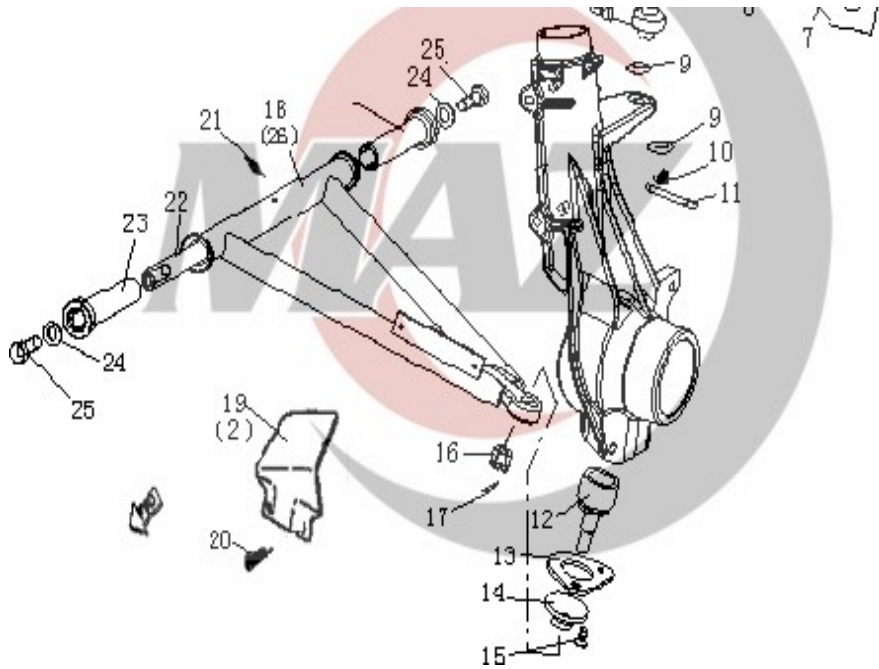


16	6.2.01.0380	SMALL FRONT LIGHT CUP
17	0.02.01030	BOLT ST4.8X12
18	6.2.01.0390	FRONT LIGHT COVER,L
19	8.2.01.0130	FICHE
20	6.2.01.0020	RUBBER BUSH
21	6.2.01.0400	CUSHION
22	6.2.01.0410	FRONT LIGHT COVER,R
23	6.2.01.042001	PLATE TANK (BK)
		PLATE TANK (CA)
24	0.02.01130	BOLT ST4.8X16
25	0.02.00930	BOLTST4.2X12
26	0.01.00630	BOLT M6X20
27	8.2.01.0010	RUBBER PAD
28	0.01.03230	BOLT M6X10

5 A-ARM



REF. No.	KOD MAZ	DESCRIPTION
1	3.1.01.1000	TIE ROD ASSY
1	11-053	Drażek Pioneer
2	6.2.01.0450	A - ARM SHIELD RIGHT
3	3.1.01.1040	TIE ROD END B
4	0.03.01320	JAM NUT(RIGHT)

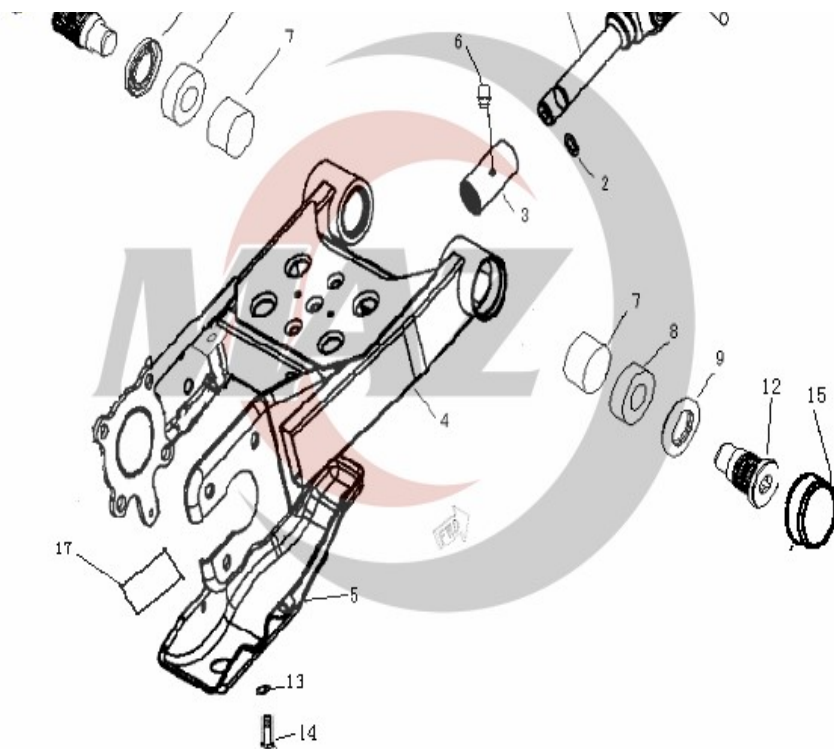


5	3.1.01.1020	TIE ROD
6	8.2.01.0020	JAM NUT(LEFT)
7	3.1.01.1010	TIE ROD END A
8	0.01.00733	BOLT M10X1.25X55
9	0.04.00410	WASHER
10	0.03.01030	NUT M10X1.25
11	0.08.02300	COTTER PIN
12	4.2.01.1010	BALL JOINT STUD
13	4.2.01.1020	BALL JOINT MOUNTING BRACKET
14	4.2.01.1030	BALL JIONT CUP
15	0.02.00830	BOLT M6X12
16	0.03.01030	NUT M10
17	0.08.00100	COTTER PIN
18	1.3.01.1010	A-ARM LEFT
19	6.2.01.0440	A - ARM SHIELD LEFT
20	0.02.00630	SCREW M5X12
21	8.5.01.0010	GREASE FITTING
22	1.3.01.1020	A-ARM PIVOT SHAFT
23	1.3.01.1030	BUSHING
24	0.04.00810	WASHER 10
25	8.1.01.0030	BOLT M10X25
26	1.3.01.1050	A-ARM RIGHT
27	0.03.00530	NUT M10X1.25
28	0.01.02730	BOLT M10X1.25X55

6 SWINGARM ASSY

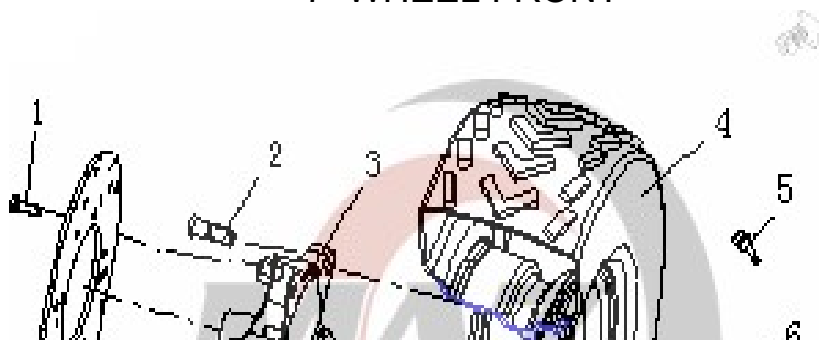


REF. No.	KOD MAZ	DESCRIPTION
1	3.1.01.0020	REAR PROPSHAFT ASSY
2	0.06.00200	O-RING
3	3.1.01.0030	COUPLING-PROP SHAFT GREASED

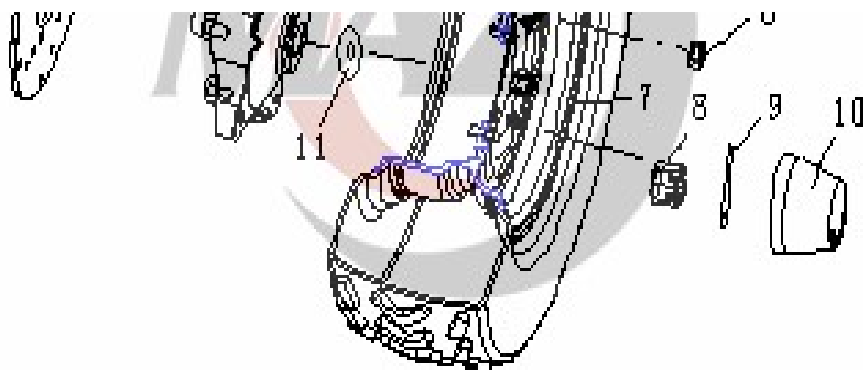


4	1.3.01.2010	SWINGARM ASSY
5	1.3.01.0030	SKID PLATE REAR
6	8.5.01.0010	GREASE FITTING
7	1.3.01.2030	SEAL-SWINGARM PIVOT
8	0.05.00200	BRG TEPER ROLL
9	8.9.01.0010	SEAL
10	1.3.01.2050	SWING ARM PIVOT LEFT
11	8.2.01.0030	TEREADED PIVOT
12	1.3.01.2070	SWING ARM PIVOT RIGHT
13	0.04.00710	WASHER8
14	0.01.00830	BOLT M8X12
15	6.2.01.0460	CAP SWINGARM PIVOT
16	3.1.01.0040	ROLL PIN
17	1.3.01.2080	SPONGE PAD

7 WHEEL FRONT

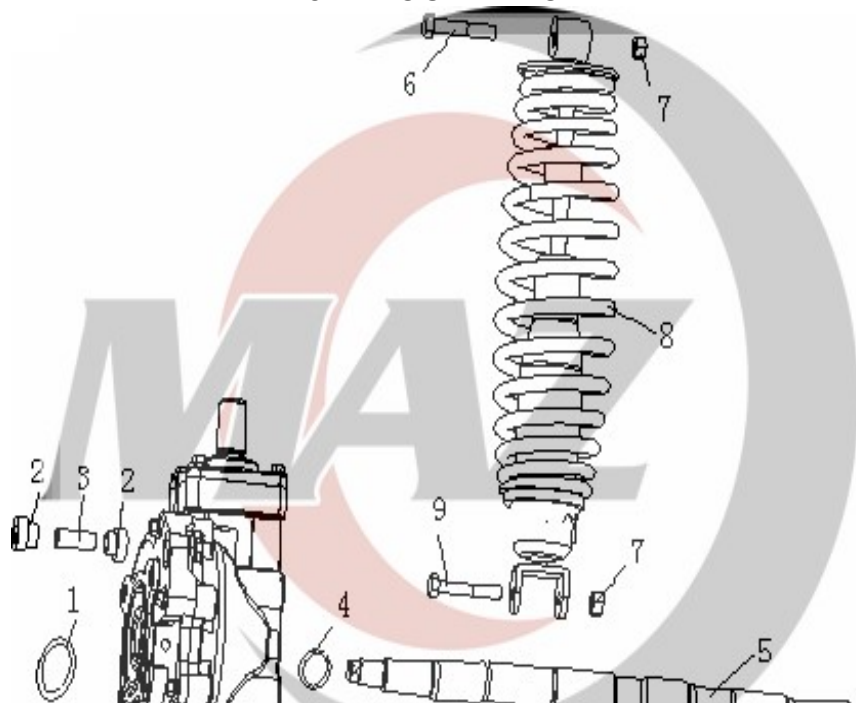


REF. No.	KOD MAZ	DESCRIPTION
1	0.02.02430	BOLT M8X20
2	8.1.01.0040	WHEEL STUD
	8.1.01.0050	WHEEL STUD
3	4.1.01.0012	HUB ASSY SHRT
4	4.1.01.0120	TIRE FRONT
5	4.1.01.0210	PLUG PIPE
6	0.03.00530	LUG NUT M10X1.25



	8.2.01.0040	NUT M10X1.25
7	4.1.01.0170	WHEEL FRONT
	4.1.01.0180	WHEEL FRONT
8	8.2.01.0050	SLOTTED NUT M16X1.5
9	0.08.00200	COTTER PIN
10	6.2.01.0470	HUB CAP 2-LOBE AWD
11	0.04.03450	WASHER

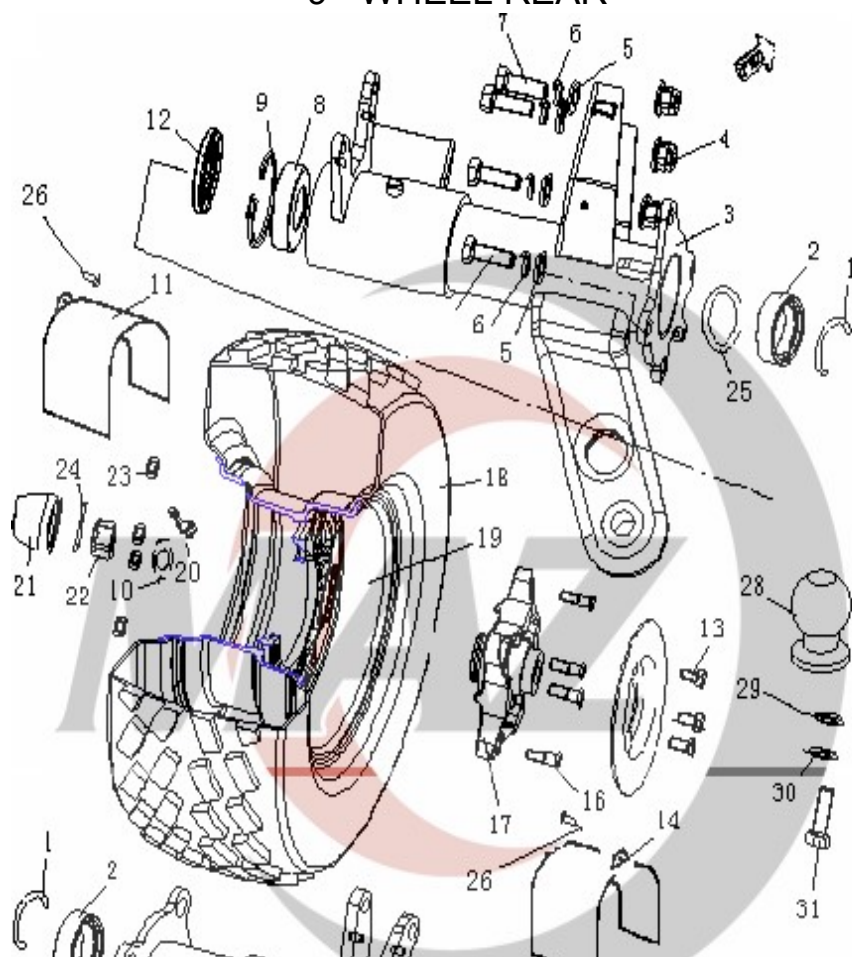
8 SHOCK ABSORBER REAR



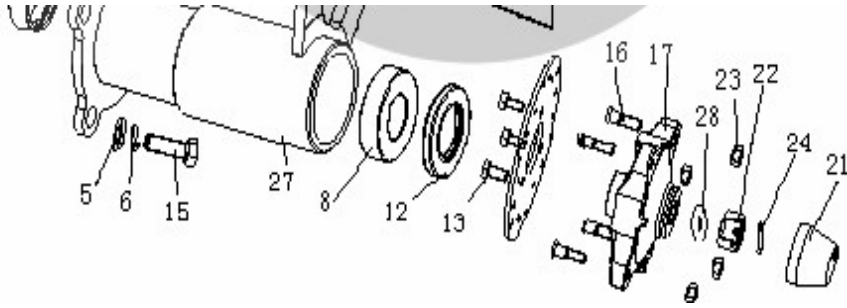
REF. No.	KOD MAZ	DESCRIPTION
1	8.3.01.0010	O-RING
2	4.2.01.2010	CUSHION PAD
3	4.2.01.2020	SPACER-BEARING
4	0.06.00200	O-RING
5	4.1.01.0041	REAR AXLE
6	0.01.01633	BOLT M10X1.25X50
7	0.03.00530	NUT M10X1.25
8	4.2.01.2000	SHOCK ABSORBER REAR
9	0.01.01733	DOWN BOLT M10X1.25X60



9 WHEEL REAR

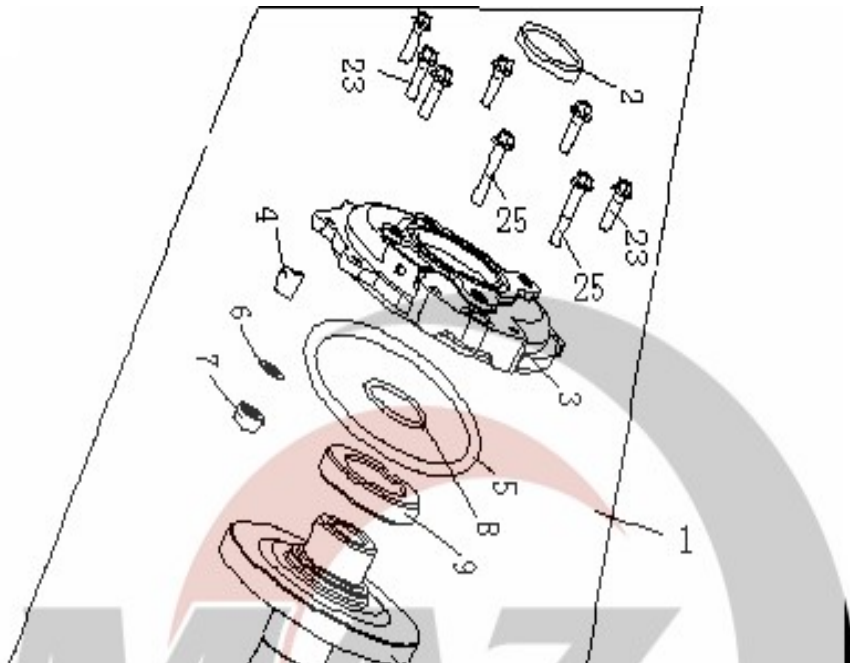


REF. No.	KOD MAZ	DESCRIPTION
1	4.1.01.0300	RING RETAINER INT
2	4.1.01.0060	SPACER
3	1.3.01.2091	AXLE TUBE AND HITCH ASSEMBLY, L
4	0.03.00730	NUT M12
5	0.04.00510	WASHER 12
6	0.04.00910	WASHER 12
7	0.01.02230	BOLT M12X30
8	0.05.00100	BEARING BALL DBL SEAL
9	0.04.01110	RING RETAINER INT
10	8.8.01.0030	WASHER
11	6.2.01.0480	BRAKE HOSE COVER, L
12	8.9.01.0030	SEAL REAR AXLE
13	0.02.02430	BOLT M8X20
14	6.2.01.0490	BRAKE HOSE COVER, R
15	0.01.02330	BOLT M12X35
16	8.1.01.0040	WHEEL STUD
	8.1.01.0050	WHEEL STUD
17	4.1.01.0082	WHEEL HUB
18	4.1.01.0150	TIRE REAR
19	4.1.01.0192	WHEEL REAR
	4.1.01.0200	WHEEL REAR
20	4.1.01.0210	PLUG PIPE
21	6.2.01.0470	HUB CAP 2-LOBE AWD

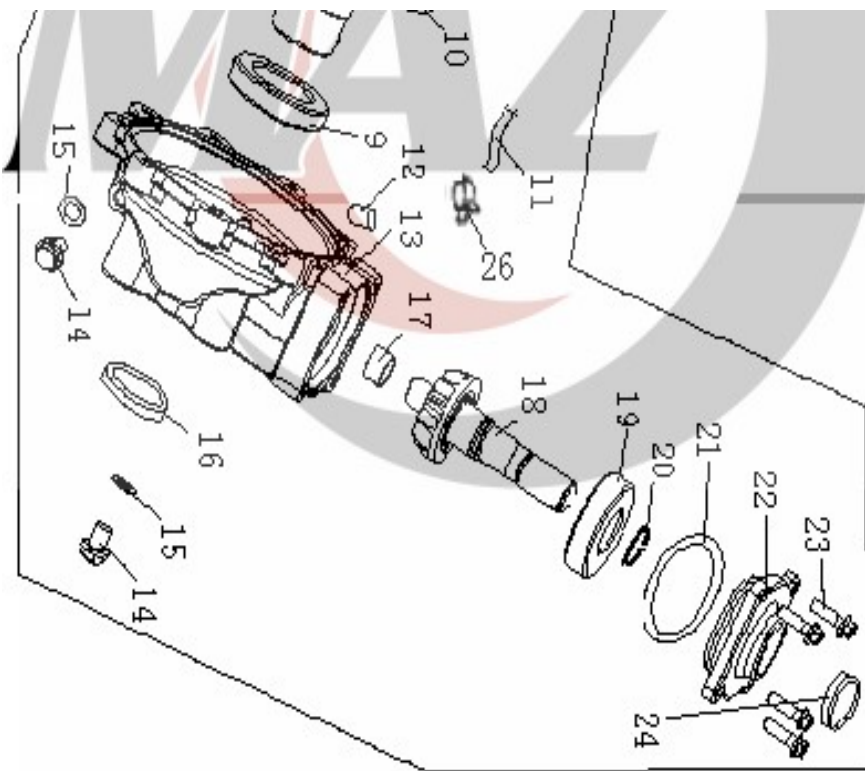


22	0.03.01130	NUT SLOTTED M20X2
23	0.03.00530	LUG NUT M10X1.25
	8.2.01.0040	NUT M10X1.25
24	0.08.00300	COTTER PIN
25	0.06.00100	O-RING 25.2X3.55
26	0.02.00630	BOLT M5X12
27	1.3.01.2112	AXLE TUBE AND HITCH ASSEMBLY , R
28	8.2.01.0060	BALL NUT
29	0.04.01810	WASHER 16
30	0.04.02650	WASHER 16
31	0.01.03150	BOLT

10 REAR GEAR-BOX

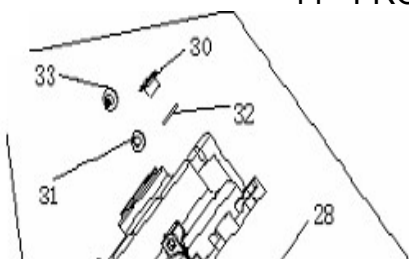


REF. No.	KOD MAZ	DESCRIPTION
1	3.3.01.0000	REAR GEARBOX ASSY
2	8.9.01.0020	SEAL 50X70X8
3	3.3.01.0010	OUTPUT COVER
4	3.2.01.0010	DOWEL PIN
5	8.3.01.0020	O-RING 176X2.65
6	8.8.01.0040	SHIM
7	8.8.01.0050	SHIM
8	3.3.01.0040	THRUST BUTTON
9	0.05.00500	BEARING 110
10	3.3.01.0050	RING GEAR
11	3.3.01.0060	VENT
12	3.3.01.0070	BEARING
13	3.3.01.0080	DRIVE HOUSING
14	8.1.01.0060	OIL PLUG
15	8.8.01.0060	WASHER
16	8.9.01.0020	SEAL 50X70X8

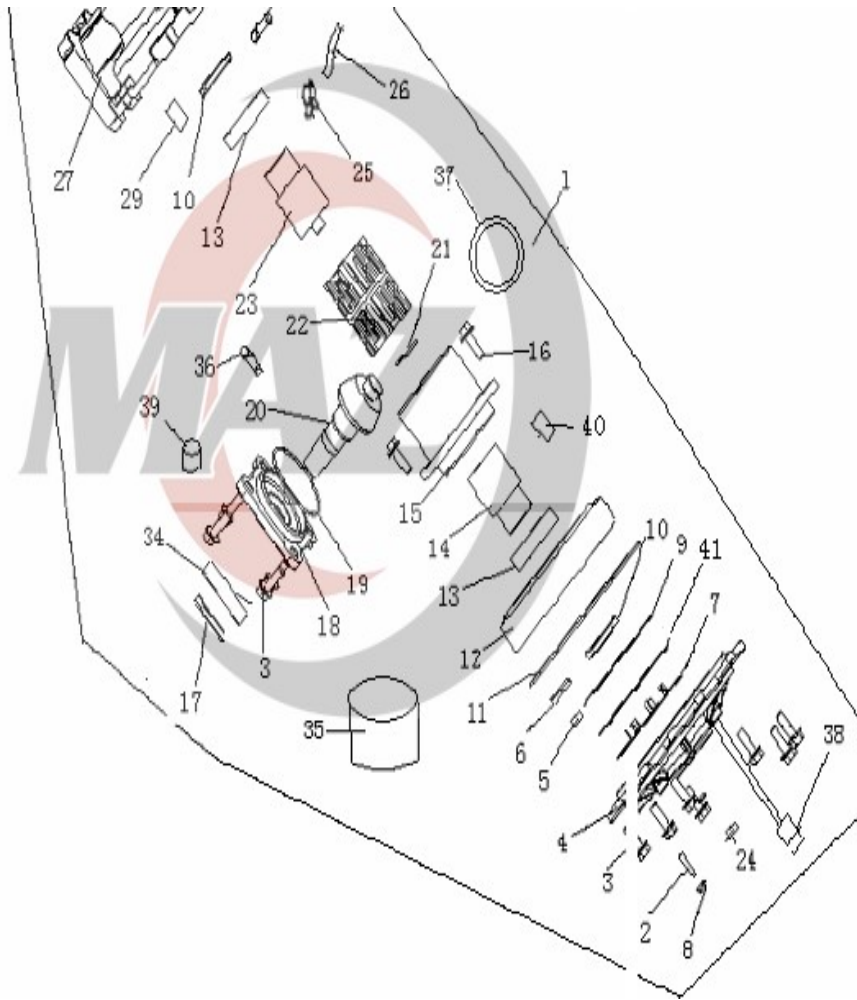


17	0.08.00600	BUSHING P23X20X15
18	3.3.01.0100	PINION SHAFT
19	0.05.00600	BEARING 6306ST
20	8.7.01.0010	RETAINER 30
21	8.3.01.0030	O-RING 79X4
22	3.3.01.0130	INPUT COVER
23	0.01.03430	BOLT M8X28
24	8.9.01.0040	SEAL 25X35X5
25	0.01.01230	BOLT M8X45
26	6.4.01.0040	CLIP 10
10		
18	L110	Przekładnia kątowna

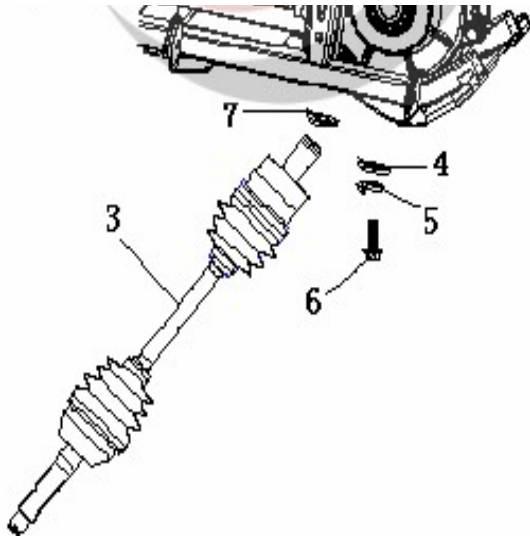
11 FRONT GEAR-BOX



REF. No.	KOD MAZ	DESCRIPTION
1	3.4.01.0001	FRONT GEAR-BOX
2	0.02.02030	BOLT M5x25
3	0.01.05230	BOLT M8x25
4	3.4.01.0010	FRONT GEAR-BOX COVER
5	3.4.01.0020	ADJUST CHUNK
6	3.4.01.0030	COPPER CHIP

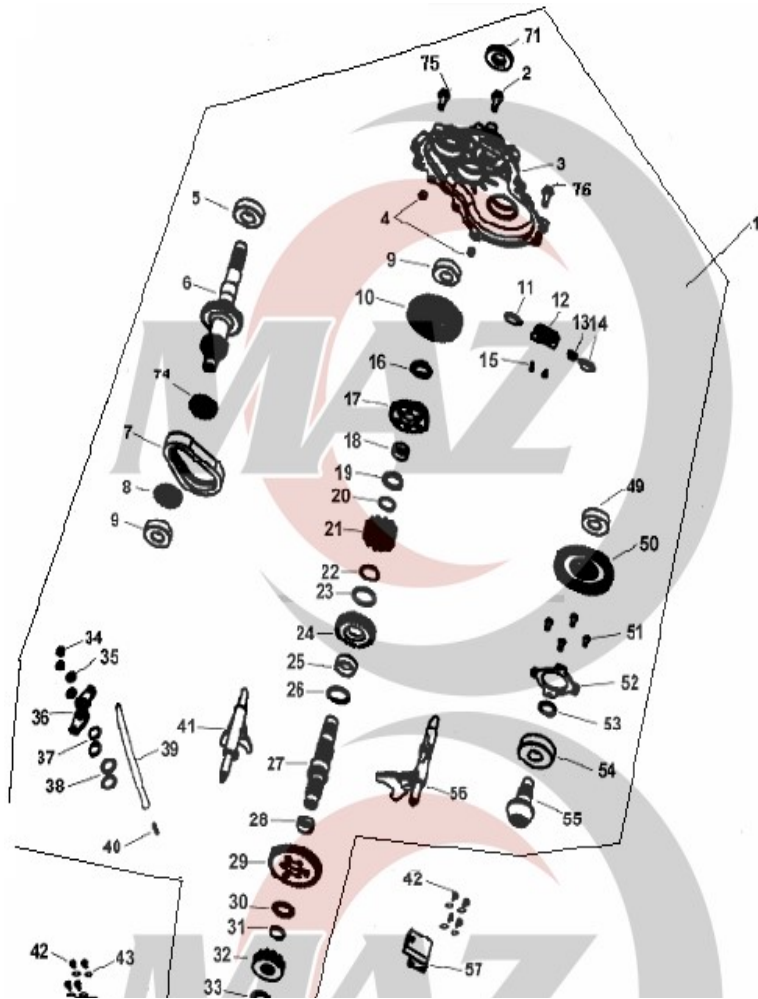


7	3.4.01.0040	REVOLVE CHIP
8	0.03.02050	NUT M5
9	3.4.01.0060	WASHER 98
10	3.4.01.0070	SEAL 35x47x7
11	3.4.01.0080	O-RING 170x2.3
12	3.4.01.0280	OUTPUT GEAR
13	0.05.02500	BEARING 6007
14	3.4.01.0100	RIGHT AXIS
15	3.4.01.0110	CONJUNCTION BULK
16	0.02.02130	BOLT M8x24
17	3.4.01.0120	SEAL 25X35X5
18	3.4.01.0130	INPUT GEAR COVER
19	3.4.01.0140	O-RING 70x2.2
12		
20	3.4.01.0150	INPUT GEAR
21	3.4.01.0160	NEEDLE BEARING 17x30x2
22	3.4.01.0170	IMMOBILITY SHELF
23	3.4.01.0180	LEFT AXIS
24	3.4.01.0190	WASHER 12
25	6.4.01.0040	CLIP 10
26	3.3.01.0060	VENT
27	3.4.01.0200	DRIVE HOUSING
28	3.3.01.0070	BEARING
29	3.2.01.0010	DOWEL PIN
30	2.2.01.0190	OIL PLUG
31	8.8.01.0140	WASHER B
32	0.06.00400	O-RING 14X2.65

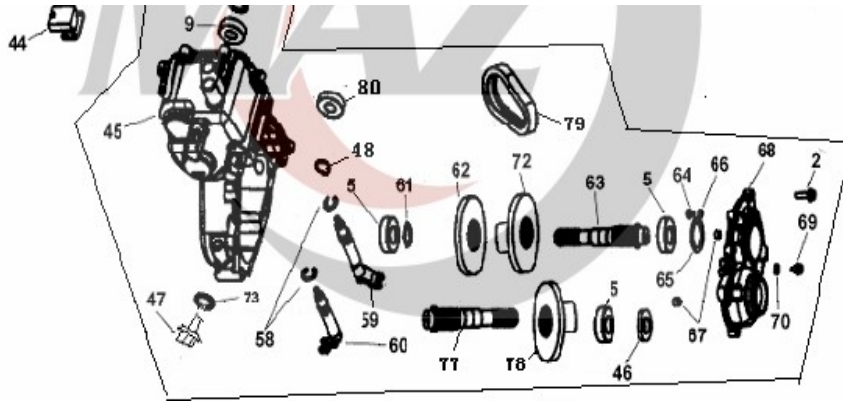


13 TRANSMISSION

REF. No.	KOD MAZ	DESCRIPTION
1	3.2.01.0001	TRANSMISSION ASSY
2	0.01.03430	BOLT M8X28
3	3.2.01.0040	MAIN COVER
4	3.2.01.0010	DOWEL PIN
5	0.05.00700	BEARING 6205c3
6	3.2.01.0050	INPUT SHAFT
7	3.2.01.0060	CHAIN
8	3.2.01.0070	GEAR 16T
9	0.05.00800	BEARING 6204
10	3.2.01.0080	GEAR,HELICAL 35T
11	3.2.01.0090	INTERLOCK PIN
12	3.2.01.0100	INTERLOCK BRACKET
13	3.2.01.0110	SPRING
14	3.2.01.0090	INTERLOCK PIN



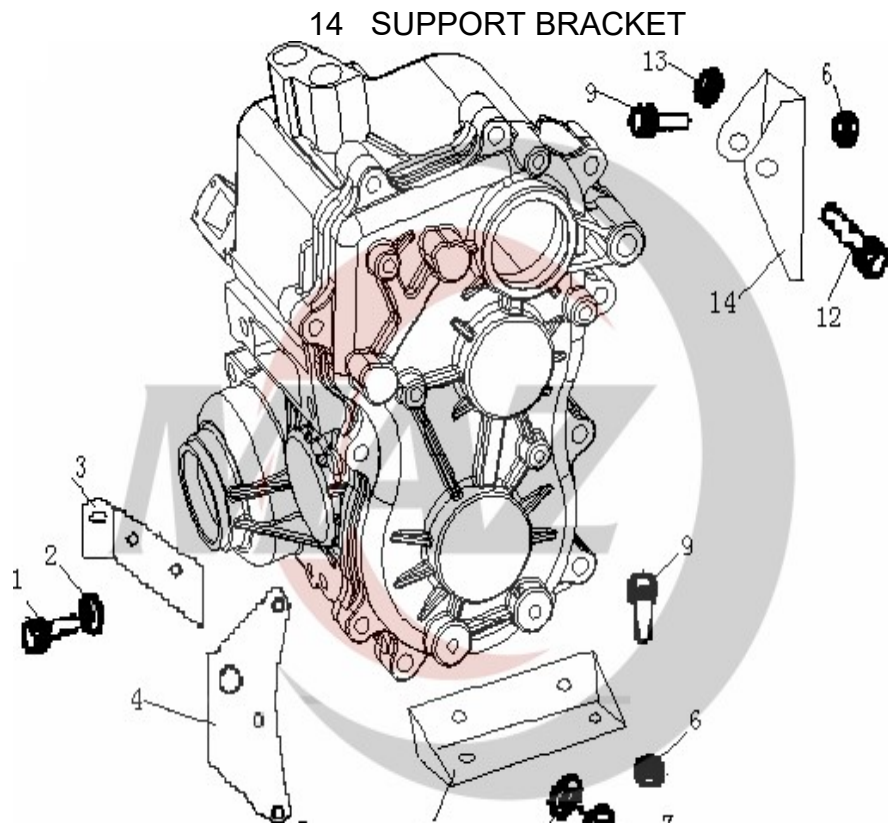
15	0.02.00630	SCREW M5X12
16	8.8.01.0070	SPACER
17	3.2.01.0140	GEAR 31T
18	8.4.01.0010	NEEDLE BEARING 25
19	8.8.01.0080	THRUST WASHER
20	0.04.01310	SNAP RING
21	3.2.01.0170	DOG GEAR
22	0.04.01410	SNAP RING
23	8.8.01.0090	THRUST WASHER
24	3.2.01.0190	SPROCKET 24T
25	8.4.01.0020	NEEDLE BEARING 25
26	8.8.01.0090	THRUST WASHER
27	3.2.01.0220	SHAFT
28	8.4.01.0010	NEEDLE BEARING 25
29	3.2.01.0230	GEAR 35T
30	8.8.01.0090	THRUST WASHER
31	0.04.01310	SNAP RING
32	3.2.01.0250	ENGAGEMENT
33	8.8.01.0100	THRST WASHER
34	0.03.00130	NUT M8
35	0.04.00310	WASHER 8
36	3.2.01.0200	BELLCRANK
37	0.04.01510	SNAP RING
38	8.8.01.0110	WASHER
39	3.2.01.0290	VENT TUBE
40	3.2.01.0300	VENT TUBE FITTING
41	3.2.01.0310	SHIFT FORK HIGH/REVERSE
42	0.02.00130	SCREW M4
43	0.04.01610	WASHER 4

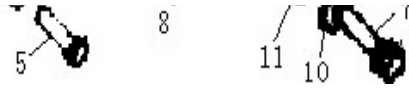


44	5.3.01.0030	GEAR INDICATOR SWITCH
45	3.2.01.0321	GEARCASE,RH
46	8.9.01.0050	SEAL 25X47X8
47	8.1.01.0170	BOLT
48	0.06.00400	O-RING
49	0.05.00800	BEARING 6204C3
50	3.2.01.0340	GEAR HELICAL 46T
51	0.02.00430	SCREW M6X10
52	3.2.01.0350	BEARING RETAINER PLATE
53	8.7.01.0020	SNAP RING
54	0.05.01000	BEARING 6305ST
55	3.2.01.0370	PINION SHAFT 10T
56	3.2.01.0380	SHIFT FORK LOW
57	5.3.01.0260	GEAR INDICATOR SWITCH
58	0.04.01910	SNAP RING
59	3.2.01.0390	SHIFT ROD LOW
60	3.2.01.0400	SHIFT ROD HIGH/REVERSE
61	8.8.01.0120	THRUST WASHER
62	3.2.01.0420	GEAR
63	3.2.01.0430	SHAFT REAR OUTPUT
64	3.2.01.0440	THRUST BUTTON
65	8.8.01.0130	SHIM 1
66	8.8.01.0050	SHIM 2
67	3.2.01.0010	DOWEL PIN
68	3.2.01.0471	COVER
69	3.2.01.0480	DRAIN SCREW
70	8.8.01.0140	WASHER B
71	8.9.01.0050	SEAL 25X47X8
72	3.2.01.0550	REAR OUTPUT CHAIN WHEEL

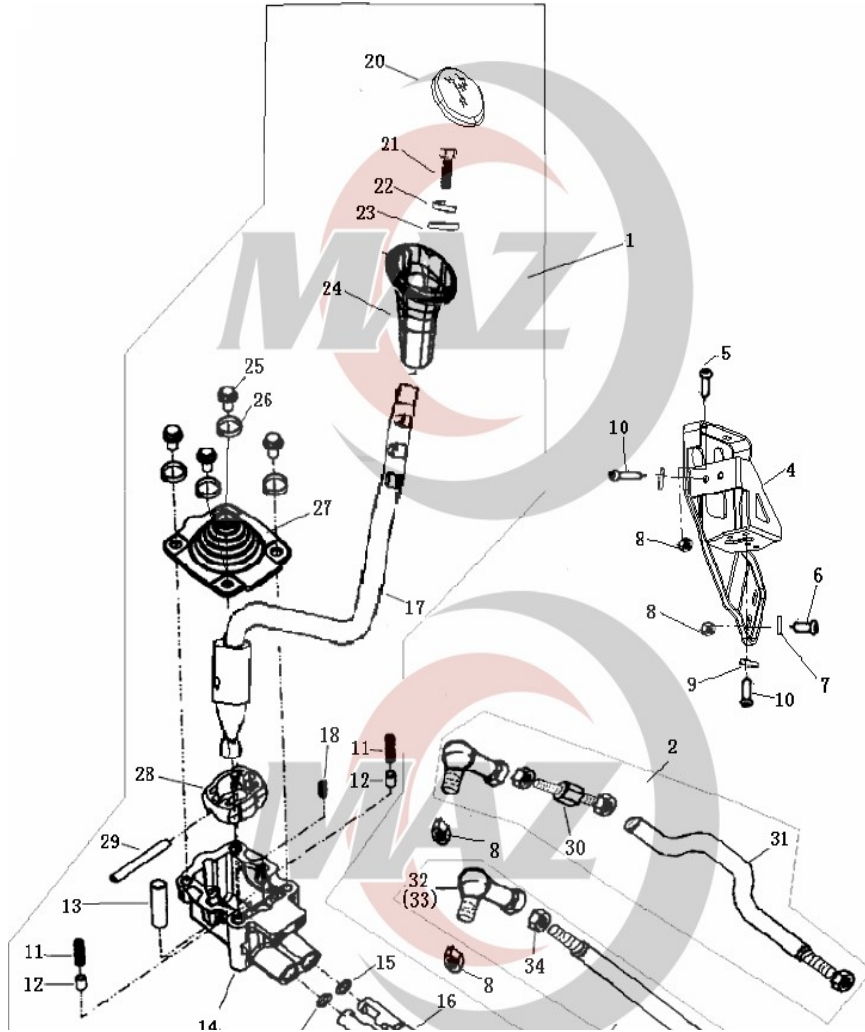
73	8.8.01.0060	WASHER A
74	3.2.01.0510	SPROCKET
75	0.01.03530	BOLT M8X40
76	0.01.03630	BOLT M8X28
77	3.2.01.0530	SHAFT FRONT OUTPUT
78	3.2.01.0540	FRONT OUTPUT CHAIN WHEEL
79	3.2.01.0520	CHAIN
80	3.2.01.0560	BUSHING P22x19x20

REF. No.	KOD MAZ	DESCRIPTION
1	0.02.00330	BOLT M12X20
2	0.04.00910	WASHER 12
3	2.7.01.0010	GEORBOX BRACKET RIGHT
4	2.7.01.0020	GEORBOX BRACKET LEFT
5	0.01.01130	BOLT M8X33
6	0.03.00130	NUT M8
7	0.01.01930	BOLT M10X20
8	2.7.01.0030	GEORBOX BRACKET DOWN
9	0.01.00930	BOLT M8X20
10	0.04.00810	WASHER10
11	0.04.00410	WASHER
12	0.01.02930	BOLTM10X1.25X68
13	0.03.00530	NUT M10
14	2.7.01.0040	GEORBOX BRACKET UP

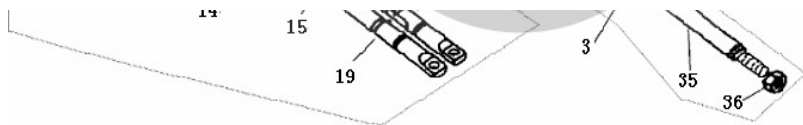




15 SHIFT ROD

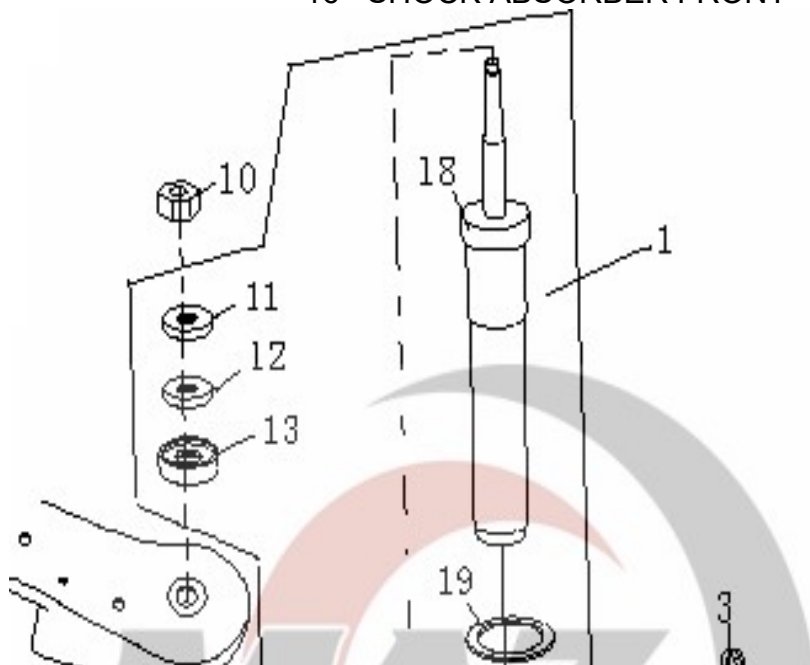


REF. No.	KOD MAZ	DESCRIPTION
1	4.6.01.1000	SHIFTER ASSY MOUNTING
2	L109	SHIFTER MOUNTING ROD B
3	L108	SHIFTER MOUNTING ROD A
4	4.6.01.0020	SHIFTER MOUNTING BRACKET
5	0.01.02530	BOLT M6X40
6	0.01.02430	BOLT M6X35
7	0.04.00110	WASHER 6
8	0.03.00330	NUT M6
9	0.04.00610	WASHER 6
10	0.01.00430	BOLT M6X15
11	4.6.01.1080	BIG SPRING
12	4.6.01.1090	DETENT PIN
13	4.6.01.1100	DOWEL PIN
14	4.6.01.1110	SHIFTER PEDESTAL
15	8.3.01.0040	O-RING
16	4.6.01.1130	SELECTOR SLIDES HIGH
17	4.6.01.3020	SHIFT LEVER
18	4.6.01.1070	SMALLSPRING
19	4.6.01.1140	SELECTOR SLIDES LOW
20	4.6.01.1010	BOOT
21	0.01.00430	BOLT M6X15
22	0.04.00610	WASHER 6
23	0.04.00110	WASHER 6
24	4.6.01.1020	KNOB
25	0.01.06920	BOLT M6X15

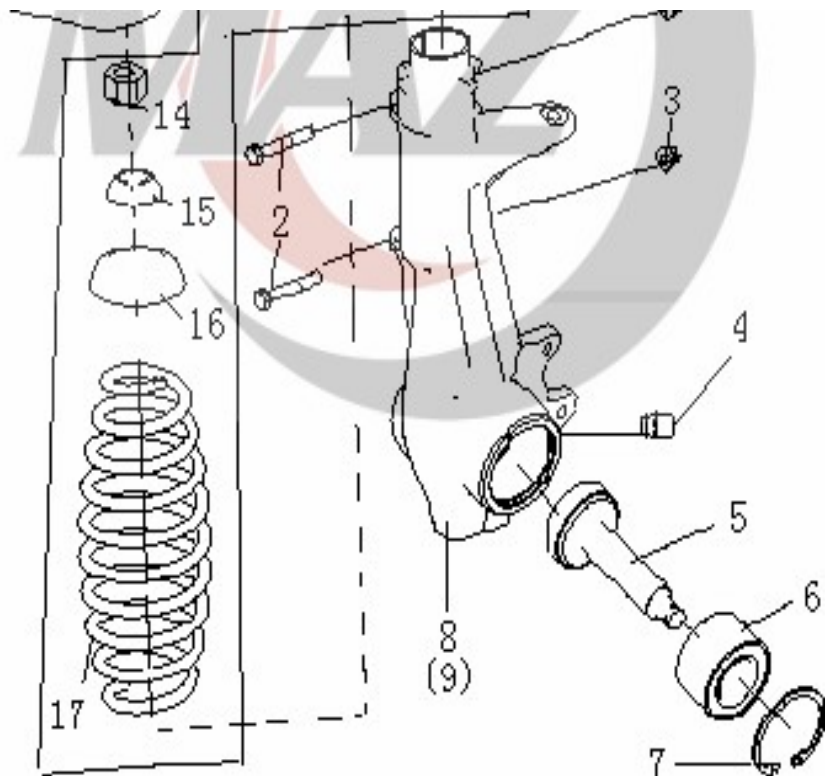


26	0.04.00110	WASHER 6
27	4.6.01.1040	SERUM CAP
28	4.6.01.1050	IMMOBILITY ball
29	4.6.01.1060	PIN
30	4.6.01.4010	SHIFT ROD COUPLER
31	4.6.01.4020	SHIFT ROD HIGH/REVERSE
32	4.6.01.3010	SHIFT ROD END CW
33	4.6.01.3040	SHIFT ROD END CCW
34	0.03.01420	JAM NUT M6 CW
35	4.6.01.3020	SHIFT ROD LOW
36	8.2.01.0070	JAM NUT M6 CCW

16 SHOCK ABSORBER FRONT

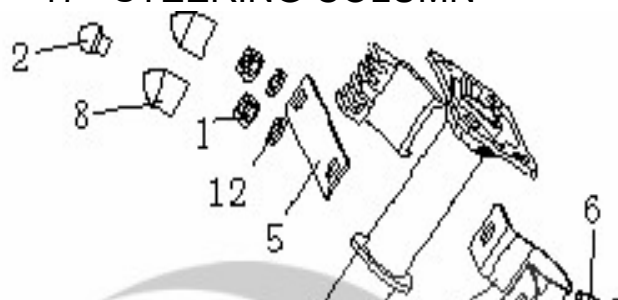


REF. No.	KOD MAZ	DESCRIPTION
1	4.2.01.1130	FRONT SHOCK ABSORBER (BLACK)
	4.2.01.1131	FRONT SHOCK ABSORBER (RED)
2	0.01.02630	BOLT M8X55
3	0.03.00130	NUT M8
4	8.5.01.0010	GREASE FITTING
5	4.1.01.0290	SPINDLE BOLT
6	0.05.00400	BEARING
7	0.04.01210	CIRCLIP 65
8	4.2.01.1140	STRUT BODY LEFT
9	4.2.01.1150	STRUT BODY RIGHT
10	0.03.01530	NUT M14X1.5
11	8.8.01.0150	WASHER 14
12	4.2.01.1050	SPACER RUBBER
13	4.2.01.1060	UPPER PIVOT BALL
14	8.2.01.0080	NUT M14X1.5
15	4.2.01.1080	LOWER PIVOT BALL

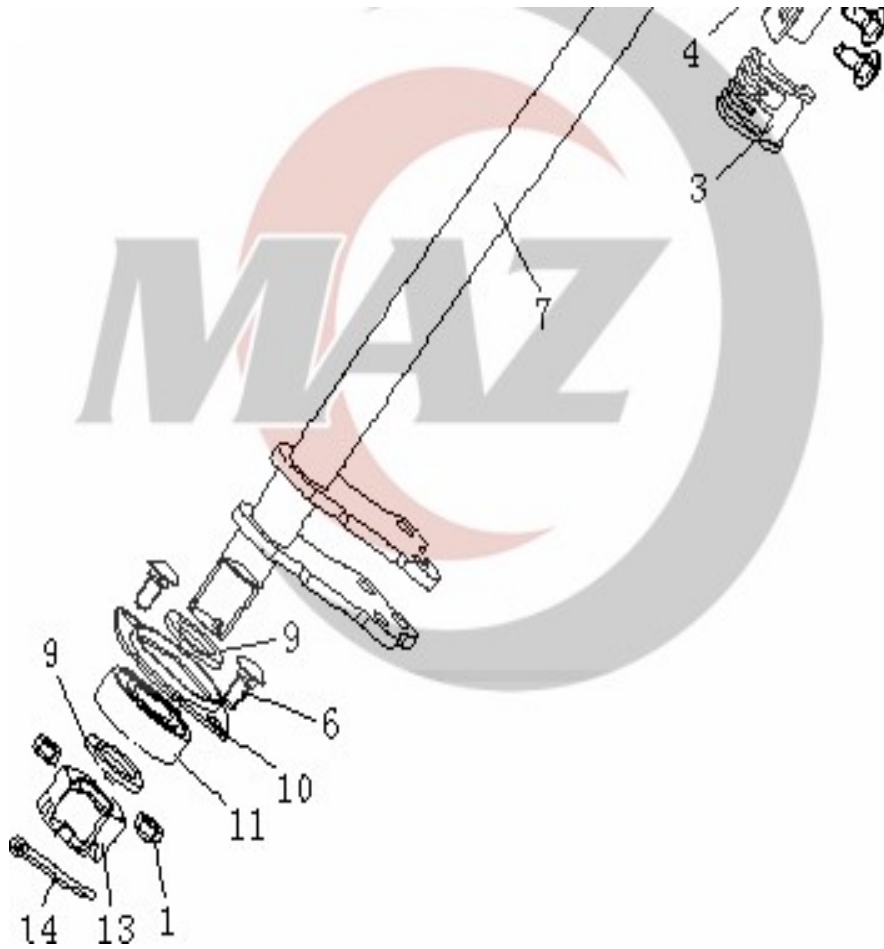


16	4.2.01.1090	SPRING RETAINER
17	4.2.01.1100	SPRING (BLACK)
	4.2.01.1101	SPRING (RED)
18	4.2.01.1110	STRUT BUMPER
19	8.8.01.0160	SPRING RETAINER

17 STEERING COLUMN

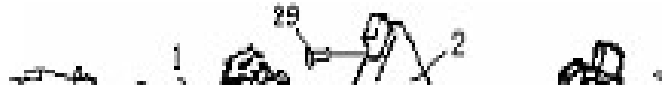


REF. No.	KOD MAZ	DESCRIPTION
1	0.03.00130	NUT M8
2	8.5.01.0010	GREASE FITTING
3	1.2.01.0010	BUSHING
4	1.2.01.0020	STEERING CLAMP REAR
5	1.2.01.0030	STEERING CLAMP FRONT
6	8.1.01.0070	BOLT
7	1.2.01.0050	STEERING COLUMN

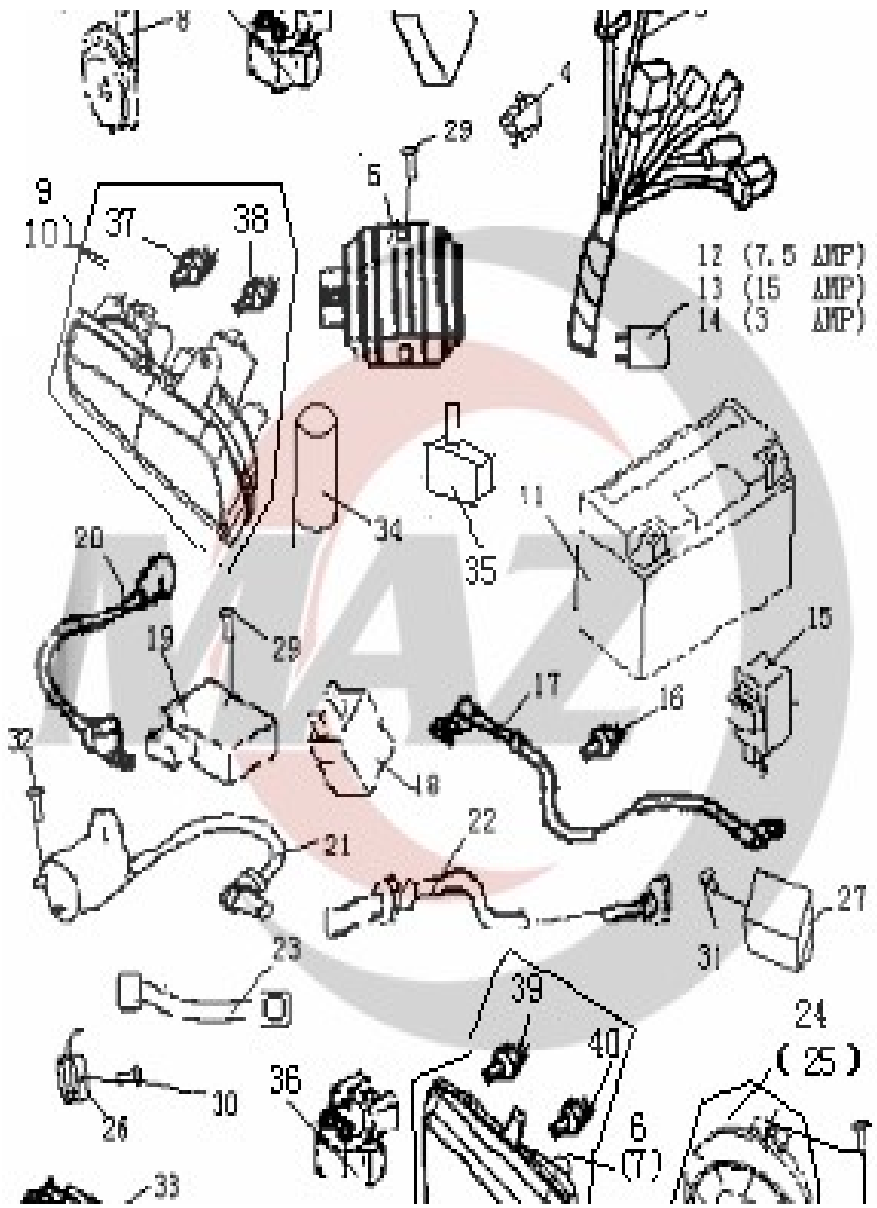


8	1.2.01.0060	CUP
9	8.8.01.0250	WASHER
10	1.2.01.0080	BEARING RETAINER
11	0.05.00300	BEARING
12	0.04.00710	WASHER
13	0.03.01230	RETAINER NUT
14	0.08.00400	COTTER PIN

18 ELECTRICAL SYSTEM



REF. No.	KOD MAZ	DESCRIPTION
1	5.3.01.0040	STARTER RELAY
2	5.3.01.0051	REVERSE SPEED LIMITER

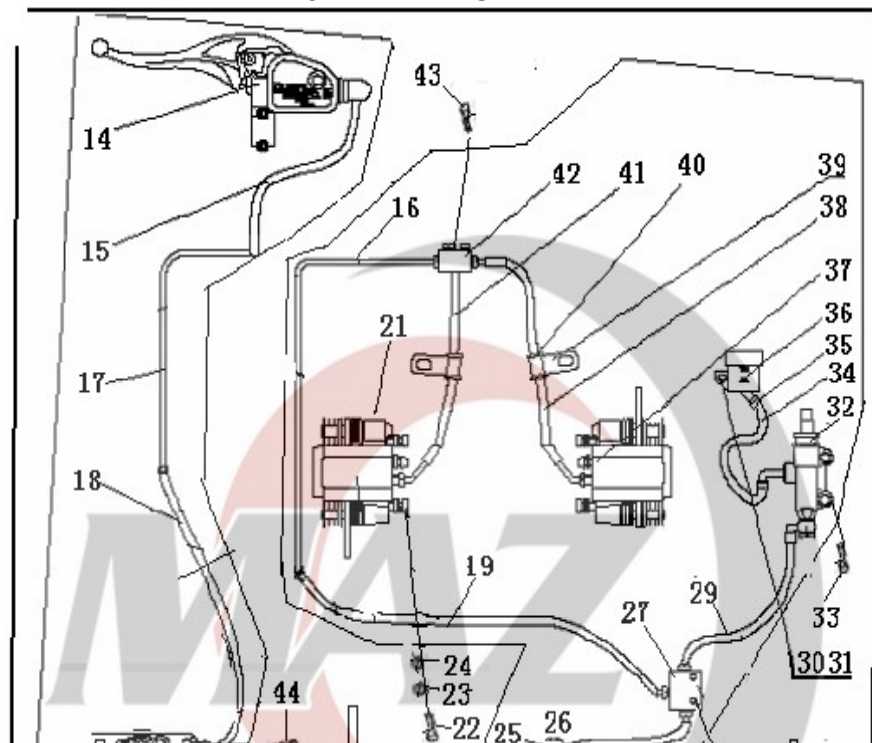


3	5.3.01.0061	WIRING HARNESS
4	5.3.01.0070	HAZARD LIGHT SWITCH
5	5.3.01.0080	REGULATOR RECTIFIER
5	10-148	regulaTOR RECTIFIER
6	5.2.01.0011	HEAD LIGHT, FR,R
7	5.2.01.0021	HEAD LIGHT, FR, L
8	5.3.01.0110	HORN
9	5.2.01.0031	TAILLIGHT, L
10	5.2.01.0041	REAR LIGHT, R
11	5.3.01.0140	BATTERY
12	5.3.01.0150	75 AMP FUSE
13	5.3.01.0160	15 AMP FUSE
14	5.3.01.0170	3 AMP FUSE
15	5.3.01.0180	FLASHER RELAY ASSAY
16	5.3.01.0190	ENGINE TEMPERTURE SENSOR
17	5.3.01.0200	BATTERY CABLE GROUND
18	5.3.01.0210	CAPCITOR
19	5.3.01.0220	TCI
20	5.3.01.0230	BATTERY CABLE POSITIVE
21	5.3.01.0240	IGNITON COIL AND WIRE
22	5.3.01.0251	GEAR SENSOR
23	6.2.01.0500	BATTERY BELL
24	5.2.01.0050	REAR BLINKER RIGHT
25	5.2.01.0060	REAR BLINKER LEFT
26	5.3.01.0280	RESISTANCE
27	5.2.01.0070	LICENSE PLATE LIGHT
28	0.02.00730	BOLT M6X15
29	0.01.01830	BOLT M6X20
30	0.01.00330	BOLT M6X12
31	0.02.00930	BOLT ST4.2X12
32	0.02.00530	BOLT M6X22

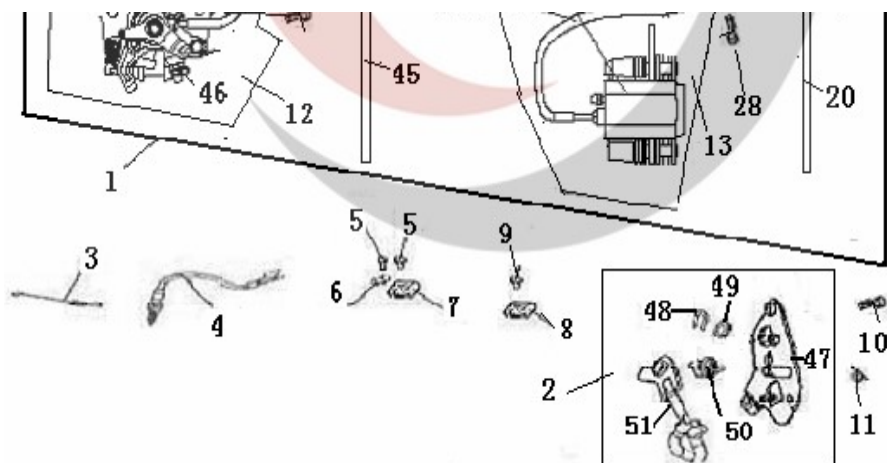


33	5.3.01.0311	CURRENT REPLEAISH SODEET
34	5.3.01.0300	GEAR SENSOR LINE
35	5.3.01.0350	LOCK
36	5.3.01.0041	CM1-12V STARTER RELAY
37	5.2.01.0120	TAILLIGHT BULB (big)
38	5.2.01.0140	TAILLIGHT BULB (small)
39	5.2.01.0100	HEADLIGHT BULB (big)
40	5.2.01.0130	HEADLIGHT BULB (small)
41	5.3.01.0150	REAR BLINKER BULB

19 BRAKING SYSTEM

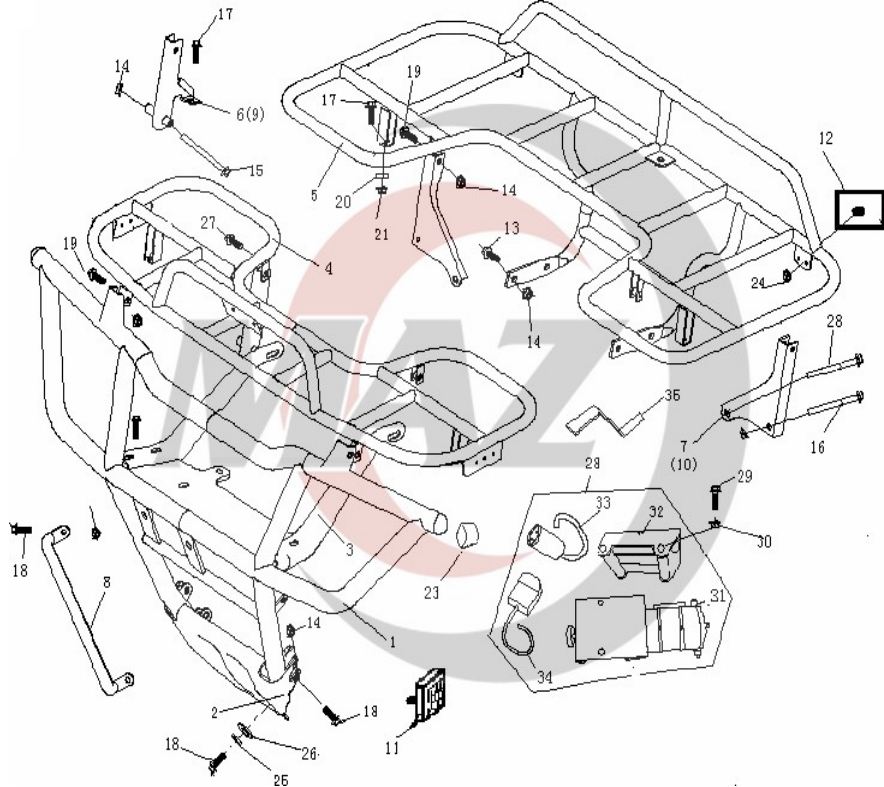


REF. No.	KOD MAZ	DESCRIPTION
1	4.3.01.0051	BRAKE ASSY
2	1.5.01.3000	BRAKE PEDAL
3	4.3.01.00120	SPRING, STOP SWITCH
4	4.3.01.0080	STOPR SWITCH REAR
5	0.02.00230	SCREW M5X15
6	4.3.01.0100	BRAKE LINE CLAMP LARGE
7	4.3.01.0090	BRAKE LINE CLAMP SMALL
8	4.3.01.0110	BRAKE LINE CLAMP
9	0.02.04110	SCREW M5X8
10	0.01.00630	BOLT M6X20
11	0.03.00330	NUT M6
12	4.3.01.0070	GRIP BRAKE
13	4.3.01.0071	FOOT BRAKE
14	4.3.01.3011	MAIN PUMP
15	4.3.01.3021	HAND BRAKE HOSE I
16	4.3.01.3030	BEHING BRAKE HOSE
17	4.3.01.3031	HAND BRAKE STEEL TUBE
18	4.3.01.3041	HAND BRAKE HOSE



19	4.3.01.3280	FOOT BRAKE HOSE I
20	4.3.01.3081	FRONT DISC BRAKE
21	4.3.01.3070	BRAKE CALIPER LEFT
22	0.01.02133	BOLT M8X25
23	0.04.00710	WASHER 8
24	0.04.00310	WASHER 8
25	4.3.01.3290	FOOT BRAKE HOSE II
26	4.3.01.3100	FRONT BRAKE PUMP RIGHT
27	4.3.01.3300	BRAKE LINE COUPLER I
28	0.02.00630	BOLT M5X12
29	4.3.01.3310	FOOT BRAKE HOSE III
30	0.03.00330	NUT M6
31	0.01.00630	BOLT M6X20
32	4.3.01.3130	FOOT BRAKE PUMP
33	0.01.00630	BOLT M6X20
34	4.3.01.3150	RESERVOIR HOSE
35	4.3.01.3160	CLIP
36	4.3.01.3170	RESERVOIR
37	4.3.01.3180	BRAKE CALIPER RIGHT
38	4.3.01.3190	FRONT BRAKE HOSE RIGHT
39	4.3.01.3200	FIXUP HOSE CARD
40	4.3.01.3210	RUBBER TUBE
41	4.3.01.3220	FRONT BRAKE HOSE LEFT
42	4.3.01.3320	BRAKE LINE COUPLER II
43	0.02.00630	BOLT M5X12
44	0.01.02030	BOLT M10X1.25X20
45	4.3.01.3112	REAR DISC BRAKE LEFT
46	4.3.01.3051	REAR PUMP LEFT
47	1.5.01.3020	FOOT BRAKE MOUNTING PLATE

20 BUMPER & RACK



48	0.04.01010	RETAINER
49	8.8.01.0260	WASHES
50	1.5.01.3010	RETURN SPRING
51	1.5.01.3030	BRAKE PEDAL

REF. No.	KOD MAZ	DESCRIPTION
1	1.4.01.0020	BUMPER
2	1.4.01.0030	CONNECTIVE
3	1.4.01.0040	CONNECTON BRACKET
4	1.4.01.0141	FRONT FRAME
5	1.4.01.0150	REAR FRAME
6	1.4.01.0070	TRESTLE 2 LEFT
7	1.4.01.0080	TRESTLE 3 LEFT
8	1.4.01.0090	PROTECT POLE
9	1.4.01.0100	TRESTLE 2 RIGHT
10	1.4.01.0110	TRESTLE 3 RIGHT
11	5.2.01.0110	REAR PROTECT POLE (YELLOW)
12	5.2.01.0090	REAR PROTECT POLE (RED)
13	0.01.01230	BOLT M8X45
14	0.03.00130	NUT M8
15	0.01.01530	BOLT M8X90
16	0.01.01330	BOLT M8X68
17	0.01.00630	BOLT M6X20
18	0.01.00930	BOLT M8X20
19	0.01.01130	BOLT M8X33
20	0.01.01330	BOLT M8X68
21	0.04.00110	WASHER 6
22	0.03.00330	NUT M6
23	6.2.01.0510	RUBBER PLUG

24	0.03.00430	NUT M5
25	0.04.00310	WASHER 8
26	0.04.00710	WASHER 8
27	0.01.01030	BOLT M8X30
28	5.3.01.0090	CONNECTION SET
29	0.01.00930	BOLT M8X20
30	0.03.00130	NUT M8
31	5.3.01.0400	RETRACTOR
32	5.3.01.0100	Lead to lead a machine
33	5.3.0.10410	RETRACTOR CONNECTION
34	5.3.01.0361	RETRACTOR SWITCH
35	5.3.01.0380	SWITCH PLANK